

Name: \_\_\_\_\_

Unit 2 Review

---

[1]  $9; 4 + 5 = 9$   
\_\_\_\_\_

[2]  $4 + 7 = 11; 7 + 4 = 11; 11 - 4 = 7; 11 - 7 = 4$   
\_\_\_\_\_

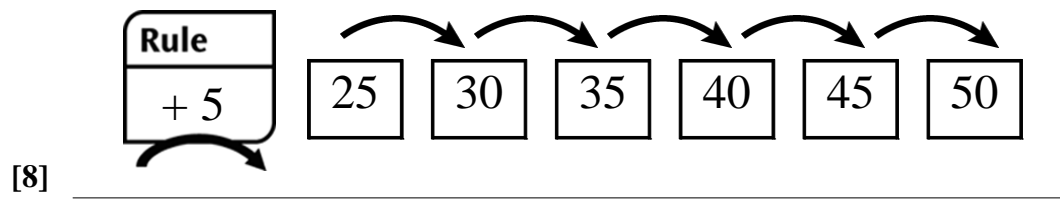
[3]  $9$   
\_\_\_\_\_

[4]  $10$   
\_\_\_\_\_

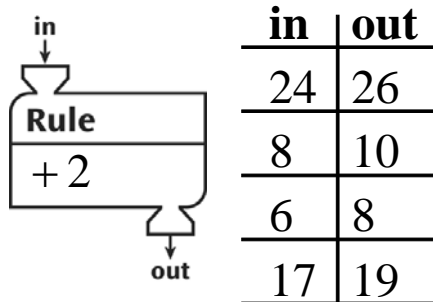
[5]  $10$   
\_\_\_\_\_

[6]  $7$   
\_\_\_\_\_

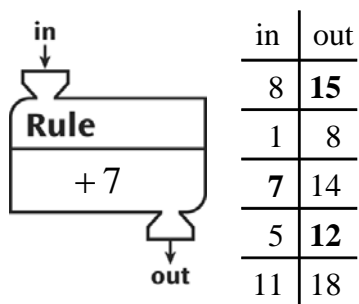
[7]  $5$   
\_\_\_\_\_



[9]  $8 + 5$   $16 + 8$   $11 + 8$   $12 + 1$   $23 + 10$   
\_\_\_\_\_



[10] \_\_\_\_\_



[11] \_\_\_\_\_

[12] 13 \_\_\_\_\_

[13] 16 \_\_\_\_\_

[14] 3 \_\_\_\_\_

[15] 6 \_\_\_\_\_

[16] a. 8  
b. 5 \_\_\_\_\_

[17] 5(3)2 \_\_\_\_\_

Sample answers: (Q)(Q)(Q)(D)(N)(N)(P)(P)(P)(P), (Q)(Q)(Q)(N)(N)(N)(N)

[18] (P)(P)(P)(P) \_\_\_\_\_

- a. Huey
  - b. Susan
  - [19]** c. 12 miles
-